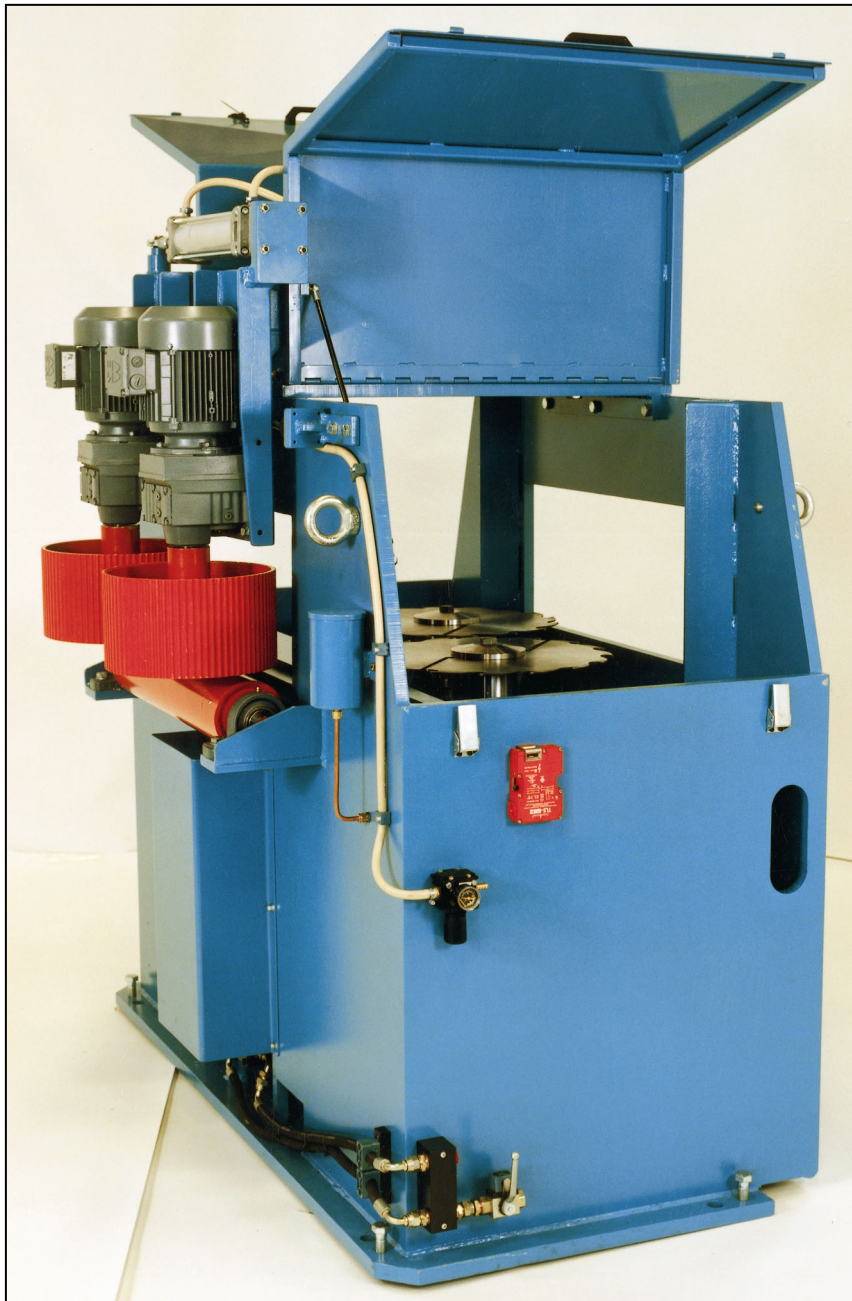


# Split saw HDSV-700



The split saw can be installed directly behind the 509 saw for horizontal splitting of sawn squares.

## Vertical round guides

The split saw is constructed of a box frame of welded steel plates. The saw blades are mounted on a vertical table and are direct driven by the motors. The table is vertically journaled on round guides. The sliding surfaces are lubricated in oil bath.

The table is moved vertically by a servo hydraulic cylinder in order to move the saw blades up and down, this can be done in-between every log. When not in operation the saw blades are positioned under the working height of the machine.

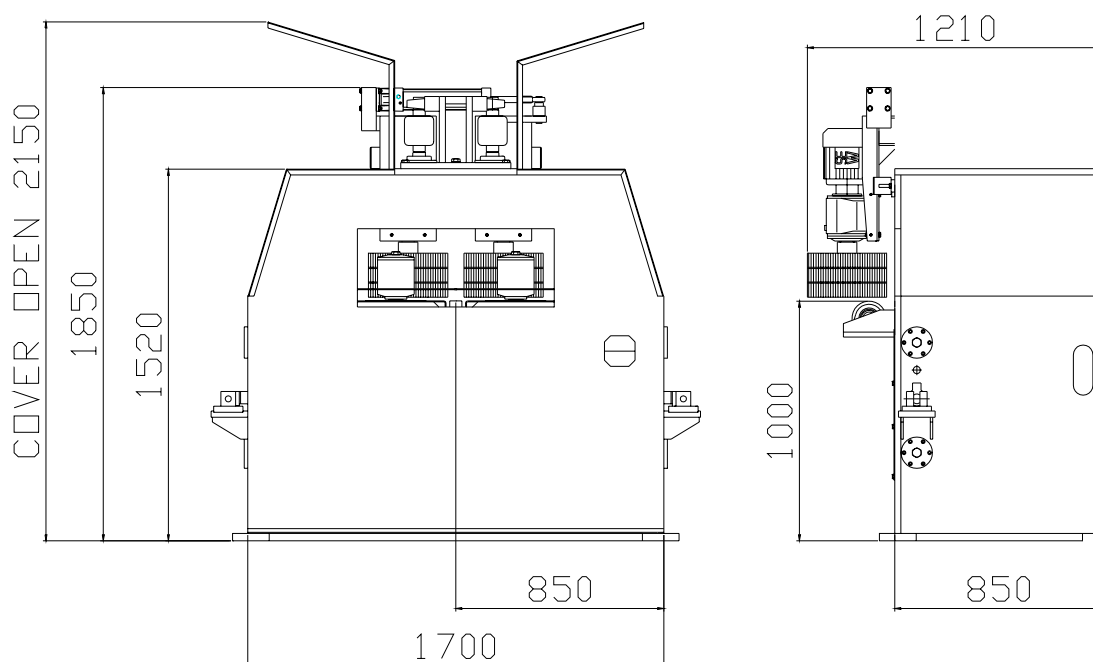
## Two or four saw blades

The split saw can be equipped with two alternatively four saw blades.

## Vertical feed rollers

Vertical floating feed rollers with separate drives is mounted on the outfeed. The feed rollers are operated by a pneumatic cylinder. The feed rollers are designed to float around the centre line for the sweep sawing. The split saw has two protective covers and each side for easy change of saw blades. The saws have strob slots.

## Dimensions



## Technical data

Saw blade diameter ..... 500 mm  
Number of saw blades..... 2 or 4  
Saw kerf..... 5.5 mm  
Max. saw width ..... 300 mm  
Max. movement of above feedrollers ..... 150 mm

Air consumption..... 20 l/cant  
Air pressure..... 6 bar

## Power requirement

Saw spindle motor..... 2x30 $\omega$ 55 kW  
Vertical outfeed rollers..... 2x1.5 kW

Weight..... approx. 4 ton

## Accessoires

- Double saw blades on each arbour for double splitting
- Feedwork when used as a stand-alone machine
- Hydraulic power pack

 **AriVislanda**  
SORB INDUSTRY

We reserve the right to make changes

Address  
AriVislanda AB  
Box 80  
SE-340 30 VISLANDA

Address  
AriVislanda AB  
Box 249  
SE-891 26 ÖRNSKÖLDSVIK

Phone, Vislanda  
+46 472 343 45  
Fax, Vislanda  
+46 472 343 49

Phone, Ö-vik  
+46 660 868 00  
Fax, Ö-vik  
+46 660 199 22

E-mail  
info@arivislanda.com  
Web  
www.arivislanda.com