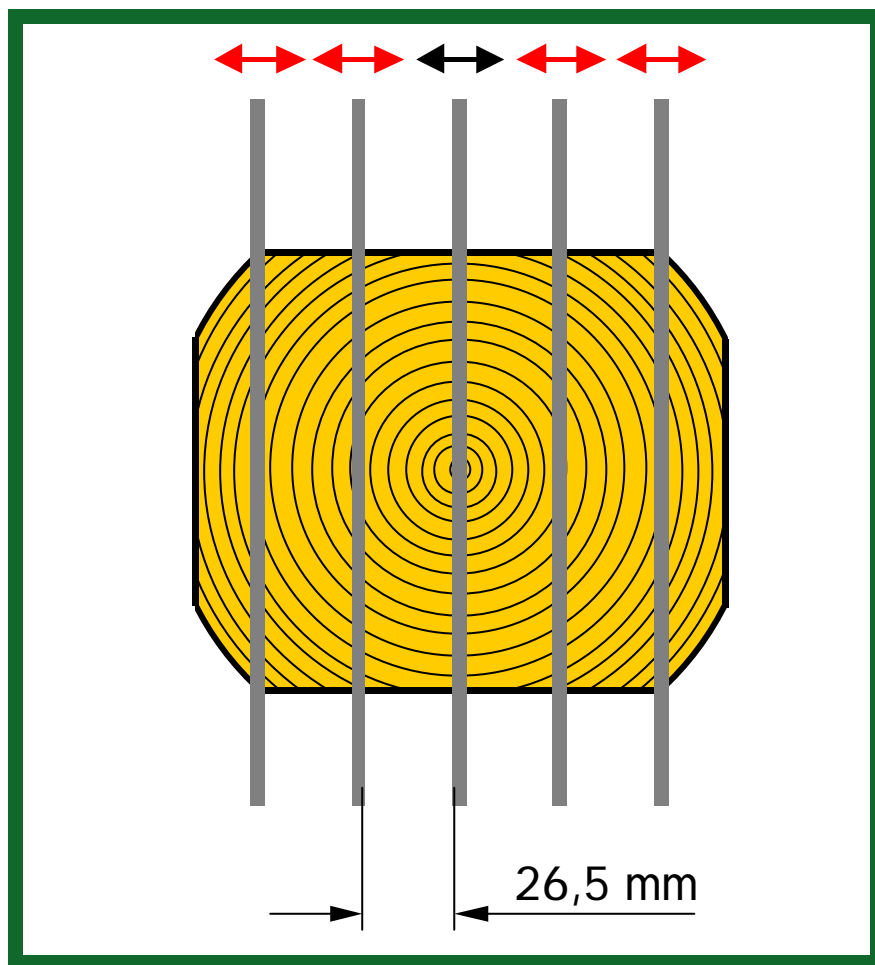


25 mm between adjustable saw blades



Now it is possible to saw 25 mm boards between the adjustable saw blades in the ARI Rotary Gang of the type DS-7X.

25 mm is nominal i.e. the measure is 26.5 mm inclusive allowances for shrinkage.

Additional parts:

- New setting arms
- Hardened saw guides
- Mounting details

High pressure washer is available as an extra equipment.

For more information, please contact AriVislanda After Sales.